

**Input**

Rated input voltage	100 V ~ 240 V ac
Input voltage range	90 V ~ 255 V ac
Rated frequency	50~60 Hz
Frequency range	47~63 Hz
Rated input current	800 mA RMS max.
Inrush current	30 A max. at 115 / 50 A max. at 230 V ac cool start

Output

Output voltage	9 V dc at 2.2 A
Output min. current	0 A
Line regulation	± 1%
Load regulation	± 5%
Over voltage protection	11.4 ~ 12.6 V dc max. (output shut down)
Short circuit protection	output shut down and auto restart
Ripple voltage	150 mV (p-p) (100~240 V ac at full load)
Efficiency	Energy Star compliant - level IV

Safety and EMI

HI-POT	input to output	1500 V ac or 2121 V dc at 10 mA for 1 min.
Insulation resistance	input to output	> 100 M Ohm at 500 V dc
Safety approvals	UL/cUL, CE, GS	
EMI standard	meets FCC class B, VCCI-II	
RoHS compliant	yes	
Leakage current	0.25 mA	

Environmental

Storage temperature	-10°C ~ +70° C
Operating temperature	0°C ~ +40° C
Storage humidity	10~90%
Operating humidity	20~80%



CUI INC

Part No: ETS090220UTC-P5P-SZ

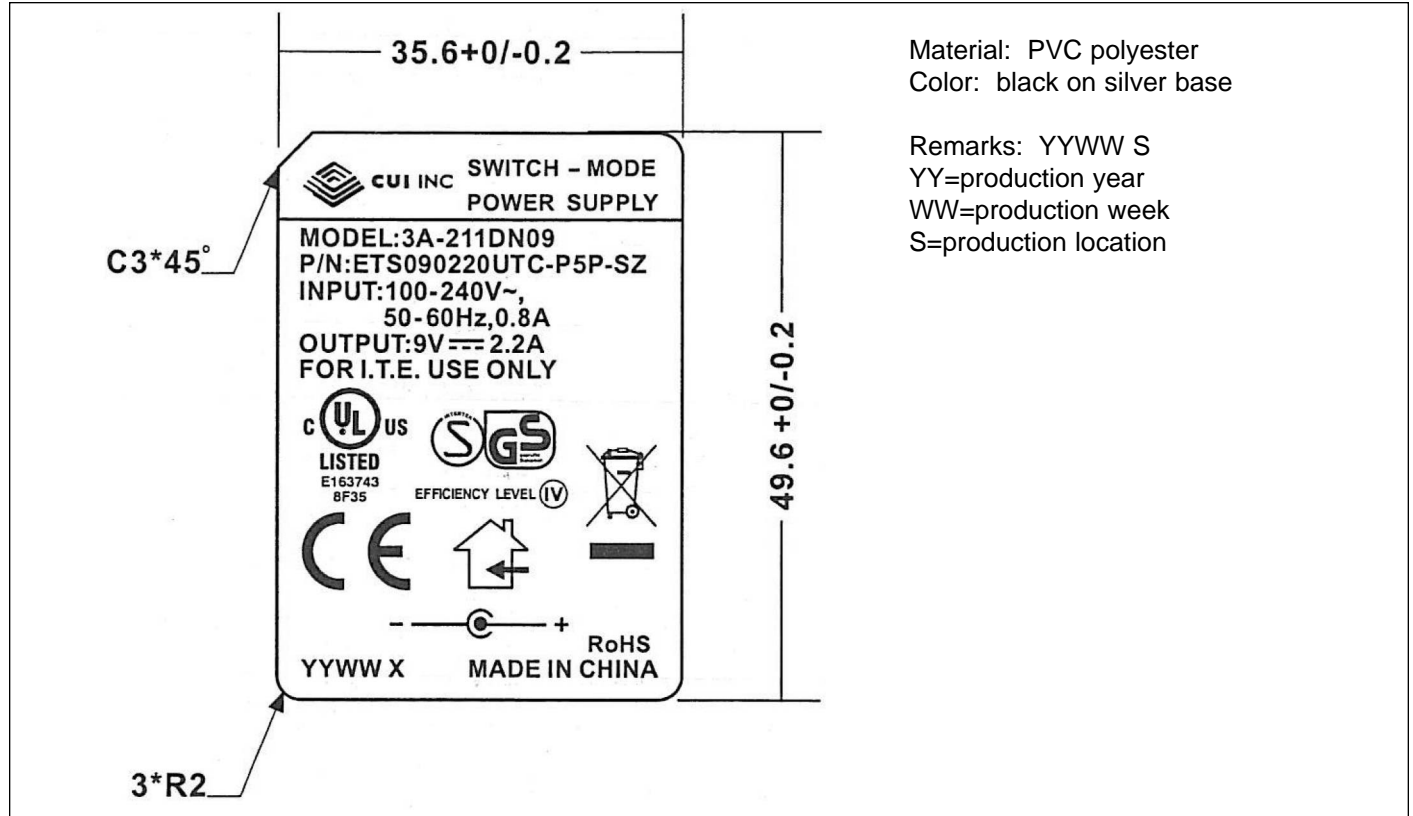
Date: 2/15/2008

Unit: mm

Description: switching power supply

Page No: 2 of 7

Label

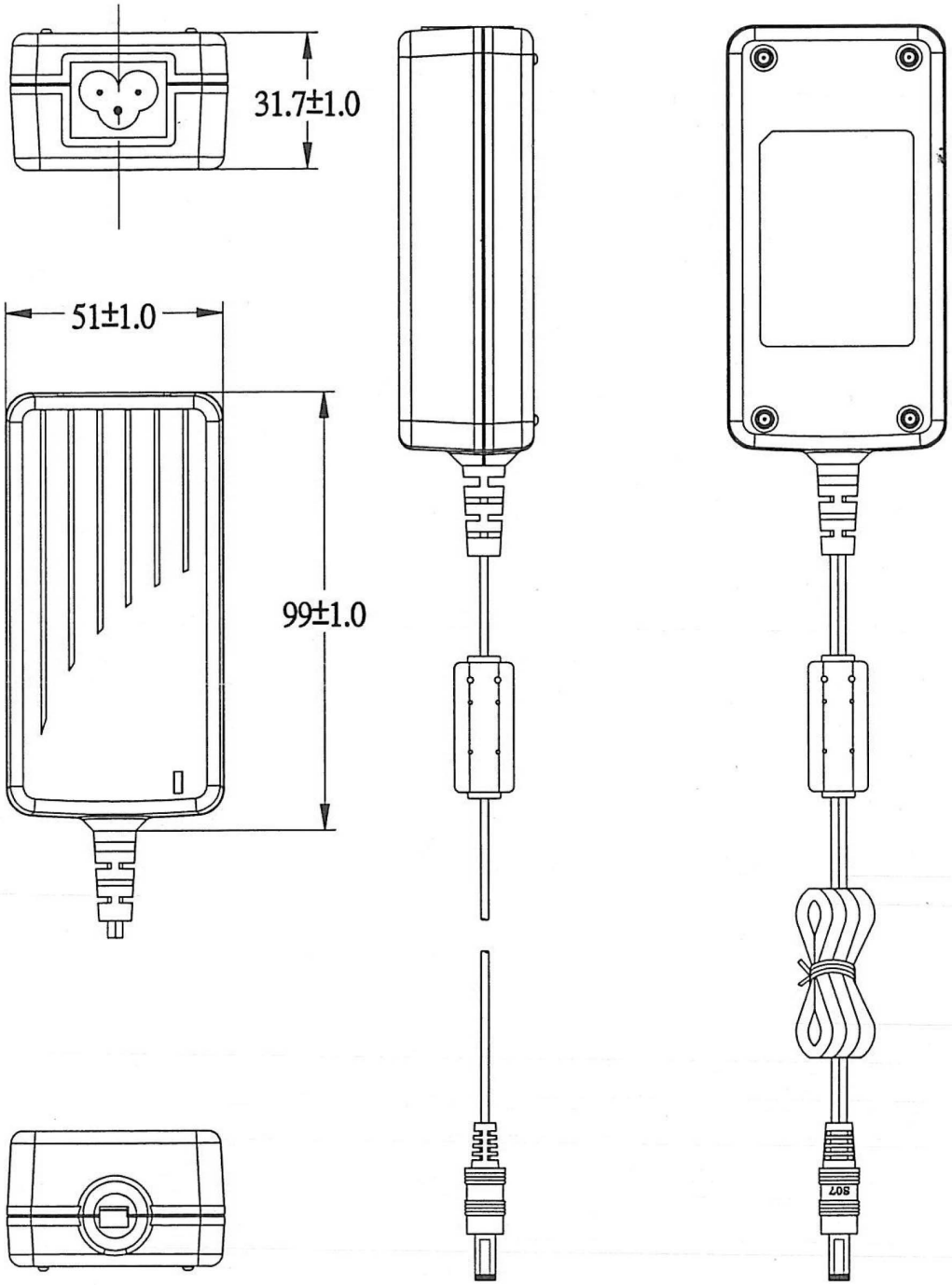




Mechanical Drawing

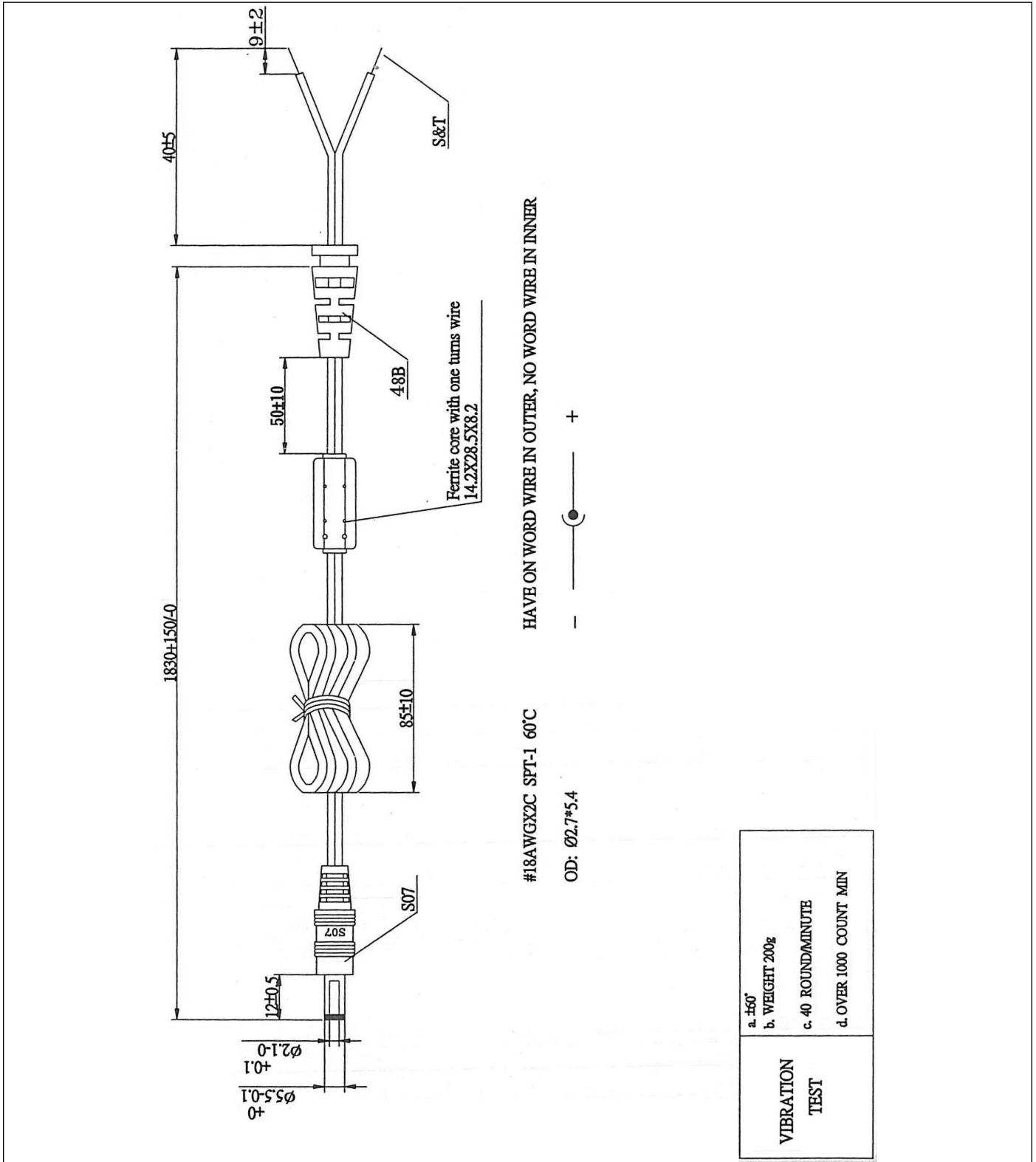
Tolerance: ± 1

Input plug	Inlet S-02-02C 3Pin Type
Weight	254 g
Case size	99 L x 51 W x 31.7 H mm





DC Cord





CUI INC

Part No: ETS090220UTC-P5P-SZ

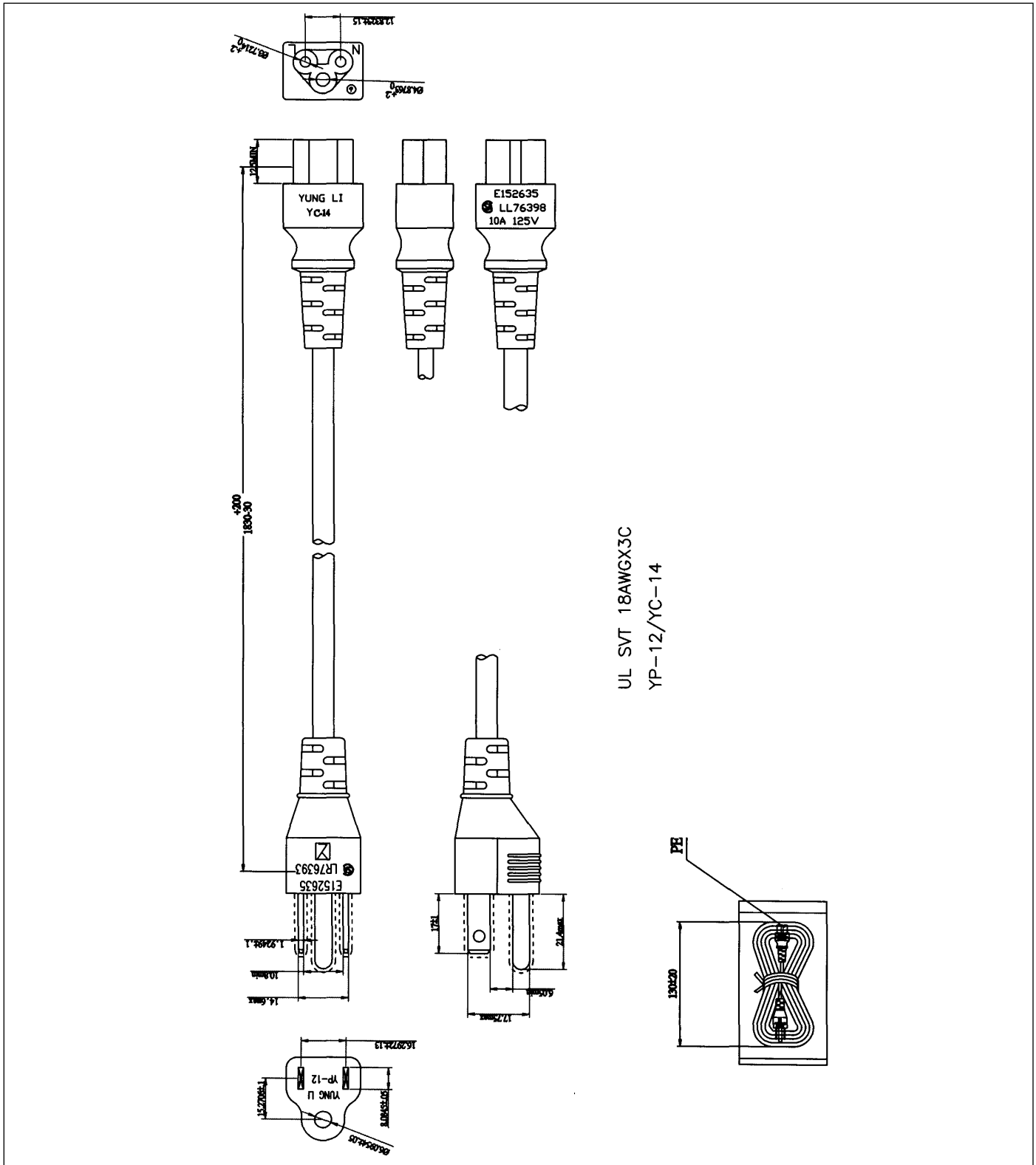
Description: switching power supply

Date: 2/15/2008

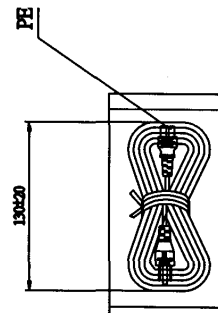
Unit: mm

Page No: 5 of 7

AC Cord



UL SVT 18AWGX3C
YP-12/YC-14





CUI INC

Part No: ETS090220UTC-P5P-SZ

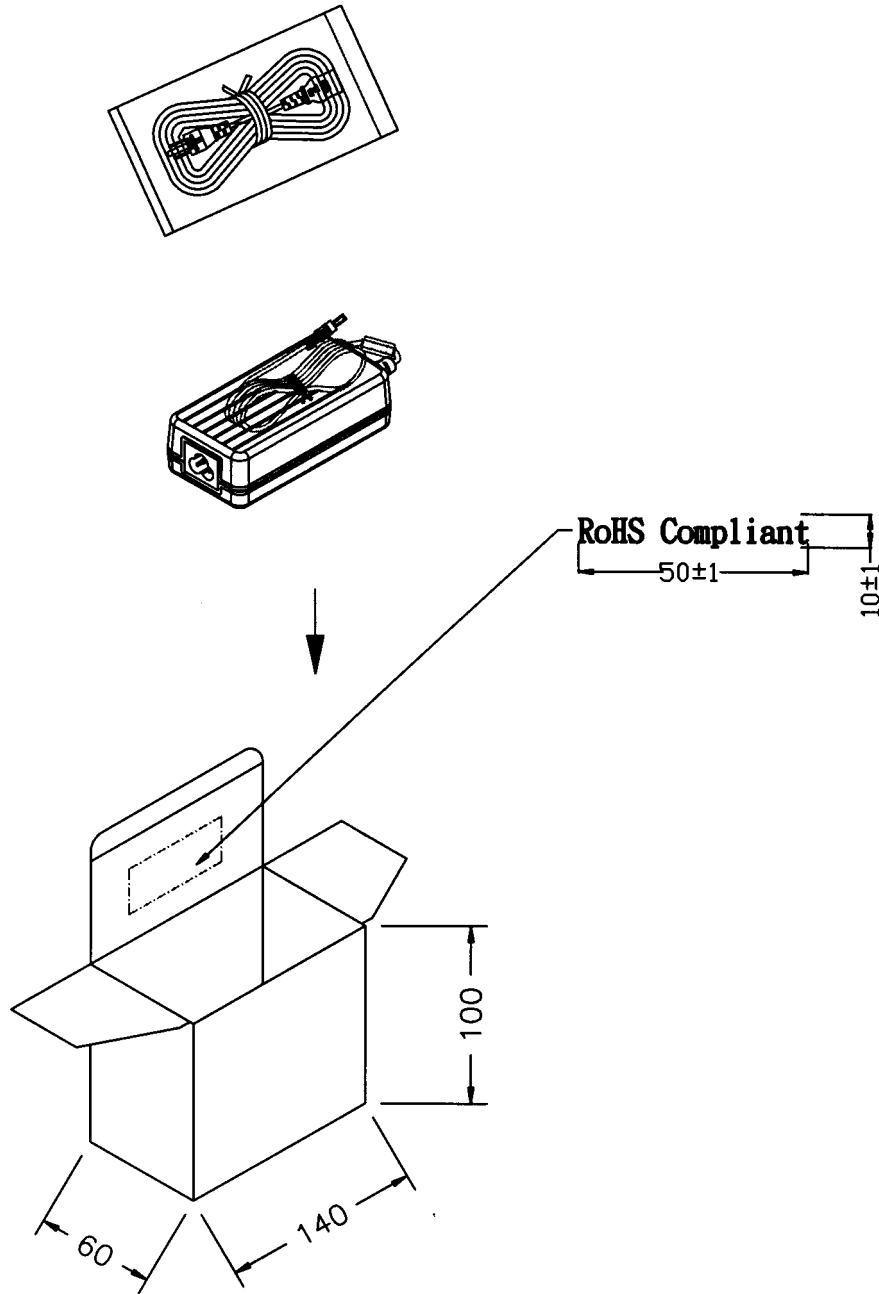
Date: 2/15/2008

Unit: mm

Description: switching power supply

Page No: 6 of 7

Individual Packaging





CUI INC

Part No: ETS090220UTC-P5P-SZ

Date: 2/15/2008

Unit: mm

Description: switching power supply

Page No: 7 of 7

Packaging

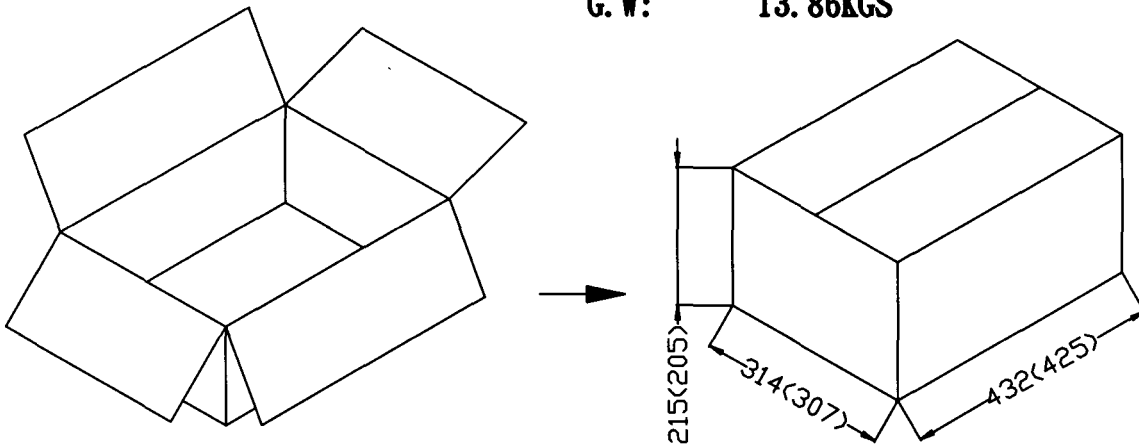
CARTON SIZE: 445X327X235

Q'TY: 30pcs(15X2)

N. W: 12.36KGS

G. W: 13.06KGS

G. W: 13.86KGS



"RoHS Compliant"

